



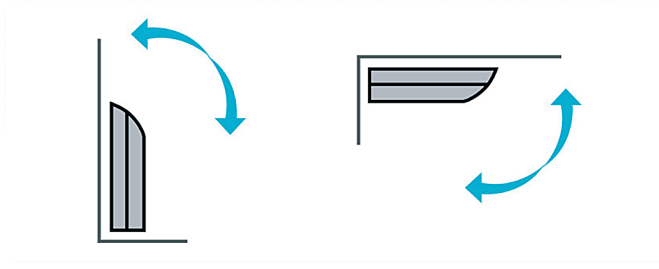
# Floor-ceiling type indoor unit



The indoor unit of the floor-ceiling type has two installation methods: on the floor and on the ceiling. It can be widely used in hotels, office buildings, shopping centers, apartments, cottages, etc.

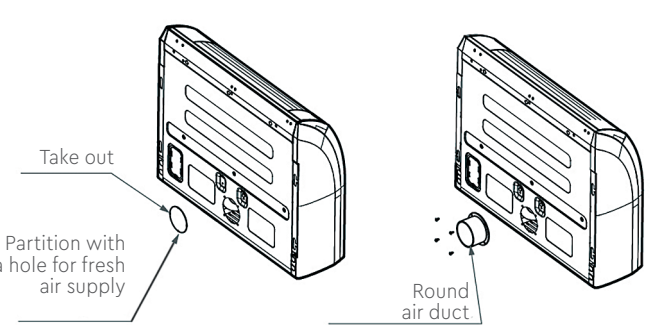
HEALTH	COMFORT MANAGEMENT	INTELLIGENT CONTROL	TECHNOLOGICAL
--------	--------------------	---------------------	---------------

- |            |           |       |             |            |                 |       |                       |                        |              |                  |                             |                  |             |
|------------|-----------|-------|-------------|------------|-----------------|-------|-----------------------|------------------------|--------------|------------------|-----------------------------|------------------|-------------|
|            |           |       |             |            |                 |       |                       |                        |              |                  |                             |                  |             |
| Mode SLEEP | ECO-FRESH | Timer | LED display | Turbo mode | Multi speed fan | Wi-Fi | Dehumidification mode | Anti Freeze protection | Auto restart | Self diagnostics | Wired controller connection | Coating BLUE-FIN | Silent mode |



### Flexible installation

The device can be mounted on the floor (vertical) or ceiling (horizontal); the flexible and convenient installation method can give customers more options and makes this indoor unit versatile.



### Fresh air supply function

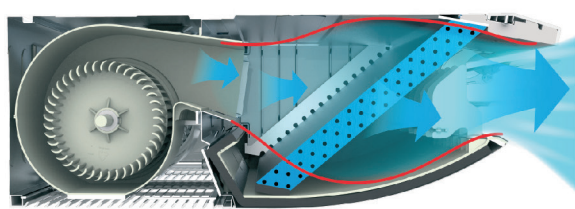
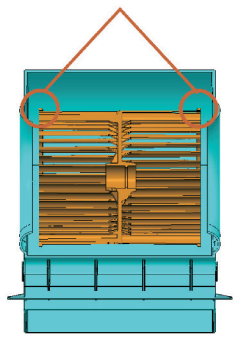
An air duct can be connected to the unit for supplying fresh air.

### Long-distance Air Supply

#### Air volume two-stage pressurization technology

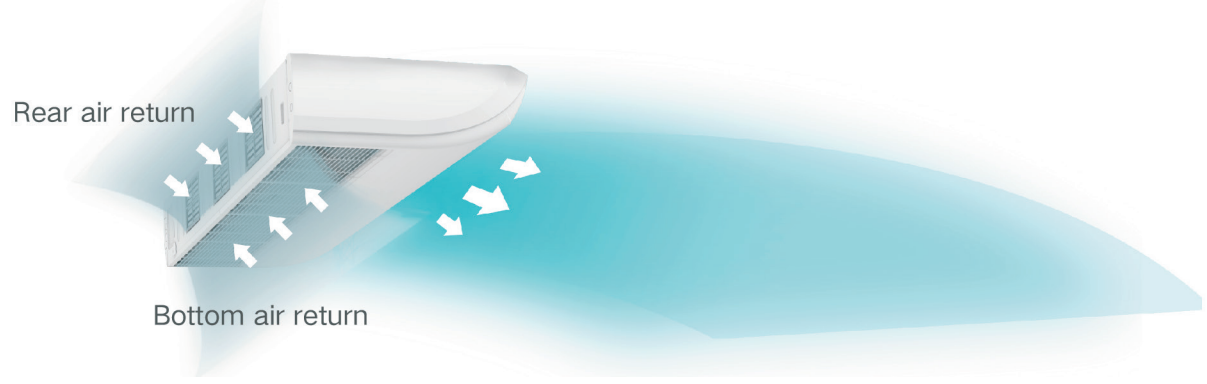
- Unique backflow prevention fan blade can avoid secondary backflow of air supply and improve the efficiency of air supply.
- The application of cavity variation technology changes the fluid cross-sectional area, creating a secondary pressure boost that increases the air supply distance by 2.5%.

Integrated backflow prevention board



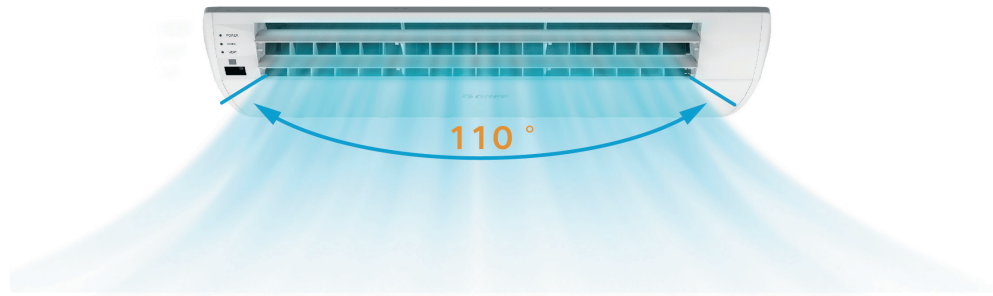
### 2-way Air Return

The 2-way air return design enlarges air return area and increases air volume by 7%.



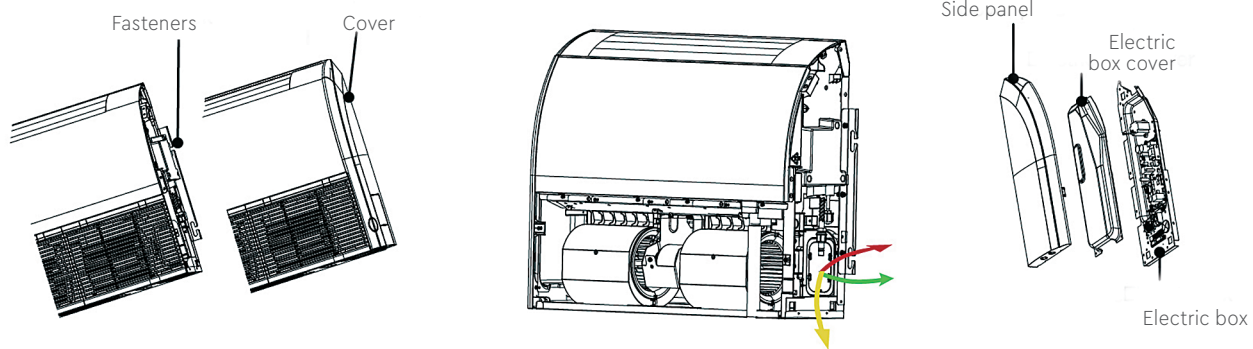
## Large-angle Swing Design

The swing louvers adopt independent distribution design, which allows the left and right air outlet angles to be adjusted freely according to different applications.



## Easy installation

Adjust the angle of the air outlet to prevent the ceiling from affecting the air distribution.



1) Design with hidden fasteners

2) Connection of connecting pipelines from different directions.

3) Hidden side electrical box design. Cables can be connected by removing only the side cover.

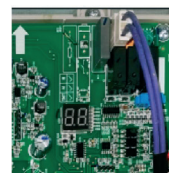
## Silent design

The new design of the fan blade to reduce the noise level, combined with the DC motor and improved sound insulation, allows you to achieve optimal air flow, its uniform supply and lower noise level, creating a quiet and comfortable environment.

## Convenient for Wiring and Piping



Automatic fault diagnosis: equipped with a microcomputer, the unit can automatically diagnose faults and display corresponding codes (on the LED panel of the indoor unit, the main board of the outdoor unit and the wired controller) for easy maintenance.



**Easy connection:** wires can be connected by detaching the handle. There is no need to open the front panel.

**Easy pipe connections:** the entire range offers external valves, all with protective caps, for easy pipe connections.

**Built-in front cover:** simple appearance, fewer components, easy to disassemble.

Model IDU			CH-IF035RK2	CH-IF050RK2	CH-IF071RK2	CH-IF085RK2	CH-IF100RK2	
Model ODU			CH-IU035RK2	CH-IU050RK2	CH-IU071RK2	CH-IU085RK2	CH-IU100RK2	
Capacity	Cooling	kW	3.5	5.3	7.1	8.5	10	
		Btu/h	11900	18000	24200	29000	34100	
	Heating	kW	4.0	5.6	7.7	8.80	11.5	
		Btu/h	13600	19100	26200	30000	39200	
EER/COP			3.80/4.30	3.40/3.90	3.50/3.95	3.40/3.90	3.4/3.9	
SEER/SCOP			7.2/4.1	6.5/4.2	7.2/4.3	6.80/4.50	6.3/4.2	
Energy efficiency grade			A++/A+	A++/A+	A++/A+	A++/A+	A++/A+	
Power supply		V/Hz/Ph	~220-240/50/1					
Power input	Cooling	kW	0.92	1.56	2.03	2.50	2.94	
	Heating	kW	0.93	1.44	1.95	2.25	2.95	
Current input	Cooling	A	4.40	7.50	9.70	11.40	14.00	
	Heating	A	4.45	6.85	9.10	10.30	14.10	
Refrigerant charge volume		kg	0.57	0.85	1.50	1.50	2.10	
Indoor unit	Air flow volume (SH/H/M/L)		CFM	383/353/294/235	530/471/412/353	735/647/588/529	824/765/706/588	941/883/824/710
			m <sup>3</sup> /h	650/600/500/400	900/800/700/600	1250/1100/1000/900	1400/1300/1200/1000	1600/1500/1400/1200
	Sound pressure		dB(A)	35/34/31/28	41/40/38/36	41/39/37/35	46/45/43/39	48/46/45/43
	Dimension (WxDxH)	Outline	mm	870×665×235	870×665×235	1200×665×235	1200×665×235	1200×665×235
		Package	mm	973×770×300	973×770×300	1303×770×300	1303×770×300	1303×770×300
	Net weight/Gross weight		kg	24.0/28.0	25.0/29.0	31.0/36.0	32.0/37.0	32.0/37.0
Outdoor unit	Sound pressure level		dB(A)	48	52	55	57	57
	Dimension (WxDxH)	Outline	mm	675×285×553	745×300×555	889×340×660	889×340×660	940×370×820
		Package	mm	794×376×605	872×398×609	1032×456×730	1032×456×730	1093×497×885
	Net weight/Gross weight		kg	24.5/27.0	30.5/33.0	41.5/45.0	46.0/50.0	65.0/72.0
Connecting pipe	Outdoor diameter (Liquid pipe)		inch	1/4"	1/4"	3/8"	3/8"	3/8"
	Outdoor diameter (Gas pipe)		inch	3/8"	1/2"	5/8"	5/8"	5/8"
	Max. distance (Height/Length)		m	15/30	20/30	20/30	25/30	30/75

Model IDU			CH-IF125RK2	CH-IF140RK2	CH-IF100RK2	CH-IF125RK2	CH-IF140RK2	CH-IF160RK2	
Model ODU			CH-IU125RK2	CH-IU140RK2	CH-IU100RM2	CH-IU125RM2	CH-IU140RM2	CH-IU160RM2	
Capacity	Cooling	kW	12.1	13.4	10.0	12.1	13.4	16.0	
		Btu/h	41200	45700	34100	41200	45700	54500	
	Heating	kW	13.5	15.5	11.5	13.5	15.50	17.0	
		Btu/h	46000	52900	39200	46000	52900	58000	
EER/COP			3.3/3.6	3.12/3.69	3.40/3.90	3.30/3.60	3.12/3.69	3.02/3.54	
SEER/SCOP			6.3/4.0	6.3/4.0	6.3/4.2	6.3/4.0	6.30/4.00	6.10/4.00	
Energy efficiency grade			A++/A+	A++/A+	A++/A+	A++/A+	A++/A+	A++/A+	
Power supply		V/Hz/Ph	~220-240/50/1					~380-415/50/3	
Power input	Cooling	kW	3.67	4.30	2.94	3.67	4.30	5.30	
	Heating	kW	3.75	4.20	2.95	3.75	4.20	4.80	
Current input	Cooling	A	17.50	19.70	4.65	5.85	6.50	9.00	
	Heating	A	17.90	19.20	4.70	6.00	6.40	9.70	
Refrigerant charge volume		kg	2.25	2.80	2.10	2.25	2.80	3.50	
Indoor unit	Air flow volume (SH/H/M/L)		CFM	1118/1059/941/824	1354/1236/1059/883	941/883/824/710	1118/1059/941/824	1354/1236/1059/883	1412/1294/1118/941
			m <sup>3</sup> /h	1900/1800/1600/1400	2300/2100/1800/1500	1600/1500/1400/1200	1900/1800/1600/1400	2300/2100/1800/1500	2400/2200/1900/1600
	Sound pressure		dB(A)	45/43/40/38	51/48/45/43	48/46/45/43	45/43/40/38	51/48/45/43	53/51/48/44
	Dimension (WxDxH)	Outline	mm	1570×665×235	1570×665×235	1200×665×235	1570×665×235	1570×665×235	1570×665×235
		Package	mm	1669×770×300	1669×770×300	1303×770×300	1669×770×300	1669×770×300	1669×770×300
	Net weight/Gross weight		kg	39.5/46.5	42.0/49.0	32.0/37.0	39.5/46.5	42.0/49.0	42.0/49.0
Outdoor unit	Sound pressure level		dB(A)	58	59	57	58	59	60
	Dimension (WxDxH)	Outline	mm	940×370×820	940×370×820	940×370×820	940×370×820	940×370×820	990×370×960
		Package	mm	1093×497×885	1093×497×885	1093×497×885	1093×497×885	1093×497×885	1153×478×1110
	Net weight/Gross weight		kg	66.0/73.0	73.0/80.0	75.0/82.0	76.0/83.0	81.0/88.0	94.0/103.0
Connecting pipe	Outdoor diameter (Liquid pipe)		inch	3/8"	3/8"	3/8"	3/8"	3/8"	
	Outdoor diameter (Gas pipe)		inch	5/8"	5/8"	5/8"	5/8"	5/8"	
	Max. distance (Height/Length)		m	30/75	30/75	30/75	30/75	30/75	